



HUMIDITY

ROOM, DUCT, AND OSA 3% HUMIDITY TRANSMITTERS A/RH3 SERIES

DESCRIPTION

The **ACI A/RH3 Series relative humidity transmitters** are specifically designed for use in HVAC/BAS applications and deliver/or have a proportional 4 to 20 mA, 0 to 5 VDC, or 0 to 10 VDC output for 3% measurement. It is available for room, duct, outside, and stainless steel wall plate applications. The **A/RH3 Series** has on board DIP switches which allow the user to select the desired output signal and can be powered by AC or DC power sources.

Each **A/RH3 Series** humidity transmitter is calibrated using a NIST Traceable Temperature/Humidity Chamber. Three and five point NIST calibration certificates are available and optional.

FEATURES

- **±3% accuracy**
- **Three-year warranty**
- **Duct and OSA twist-off weatherproof housing**
- **24 VDC or 24 VAC power (field-selectable)**
- **4-20 mA, 0-10V, or 0-5V signal (field-selectable)**
- **Field-calibratable**



9

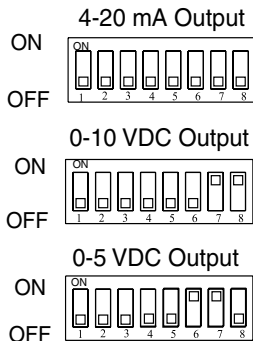
HUMIDITY

SPECIFICATIONS

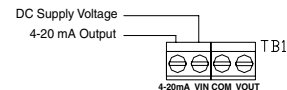
Accuracy	±3% @ 77°F (25°C) from 10% to 95%	Dimensions	
Stability	±2% RH/5 years	Room	3.8"H x 2.8"W x 0.9"D (9.8 x 7 x 2.3 cm)
Supply Voltage	12-40 VDC or 18-28 VAC	Duct	3.6" (9 cm) Ø head with 8.15"L (20 cm) probe 0.75" (1.9 cm) Ø
Signal Output	4-20 mA @ 300Ω, 0-5/10 VDC @ 4kΩ min, (field selectable) except SP 0-5/10 VDC only	OSA	3.6" (9 cm) Ø head with 3.0"L (7.6 cm) probe 1.4" (3.6 cm) Ø
Measurement Range	0% to 100%	Weight	
Sensing Technology	Capacitive	Room	0.22 lb (0.1 Kg)
Operating Temperature		Duct	1.2 lb (0.54 Kg)
Room	32° to 122°F (0° to 50°C)	OSA	0.6 lb (0.27 Kg)
Duct/OSA	-40° to 140°F (-40° to 60°C)	SP	0.2 lb (0.09 Kg)
Enclosure		Approvals	CE, RoHS
Room	Plastic Delta-style	Warranty	5 years
Duct/OSA	Plastic weatherproof		

WIRING

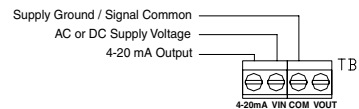
Output Selection Switches (SW 1)



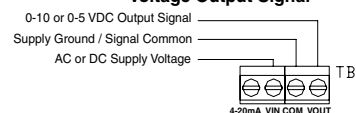
2 Wire Current Output Signal



3 Wire Current Output Signal



Voltage Output Signal

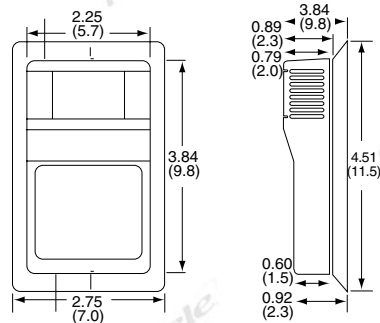




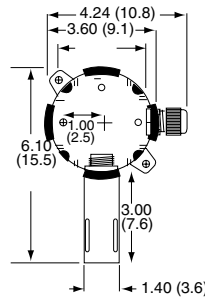
ROOM, DUCT, AND OSA 3% HUMIDITY TRANSMITTERS A/RH3 SERIES

DIMENSIONS

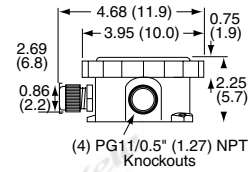
in
(cm)



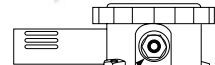
Room



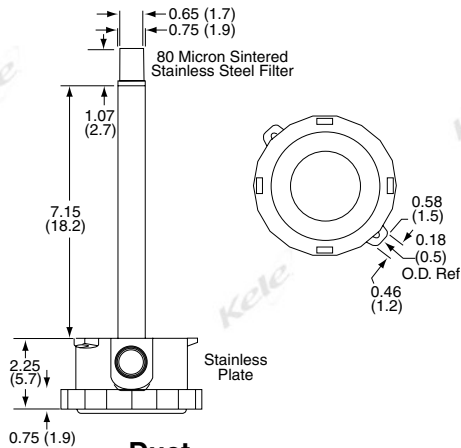
Outside



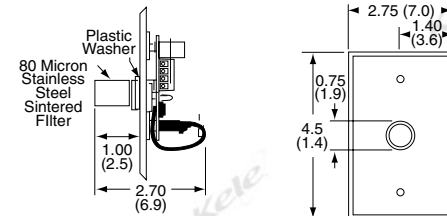
(4) PG11/0.5" (1.27) NPT Knockouts



PG11 Watertight Fitting (Cable Dia. 0.12 to 0.28"/0.3 to 0.7 cm)



Duct



Stainless Plate

Plastic Cover for Stainless Steel Filter to Protect Sensor during Wash Down

ORDERING INFORMATION

MODEL	DESCRIPTION
A/RH3	3% accuracy humidity transmitter (default = 4-20 mA)
	OPTIONAL
AN	Type III 10,000Ω thermistor
CP	Type II 10,000Ω thermistor
20K	20,000Ω thermistor
100	100Ω 385 PT RTD
1K	1,000Ω 385 PT RTD
	REQUIRED
R	Room
D	Duct
O	Outside air
SP	Stainless steel plate passive sensors only

A/RH3 - 100 - R Example: A/RH3-100-R A 3% accuracy room humidity transmitter with 100Ω RTD

RELATED PRODUCTS

DCP-1.5-W
DCPA-1.2
691-K0A

Power supply, 24 VAC IN to 24 VDC OUT
Power supply, 120 VAC IN to 24 VAC/24 VDC OUT
Control transformer, 120:24 VAC, 40 VA, Class 2